



DA-RL4W9

4" Round Flat Super Thin Recessed LED 9W

Type IC & Airtight



DESCRIPTION

Recessed 4" Round LED With Integral Driver In Connection Box.
Fits Where No Other Recessed Fixture Can.

FEATURES & BENEFITS

- 1/2" Thin - Install Directly Under Joists, Maximum Layout Flexibility
- Type IC Rated - No Housing Required
- Fast & Easy To Install - Save On Labour
- Driver Inside Connecton Box - No Junction Box Needed

MOUNTING

Cut Hole In Ceiling And Snap Fixture In Opening With Attached Spring Clips.
2" Above Ceiling Clearance Required For Driver.

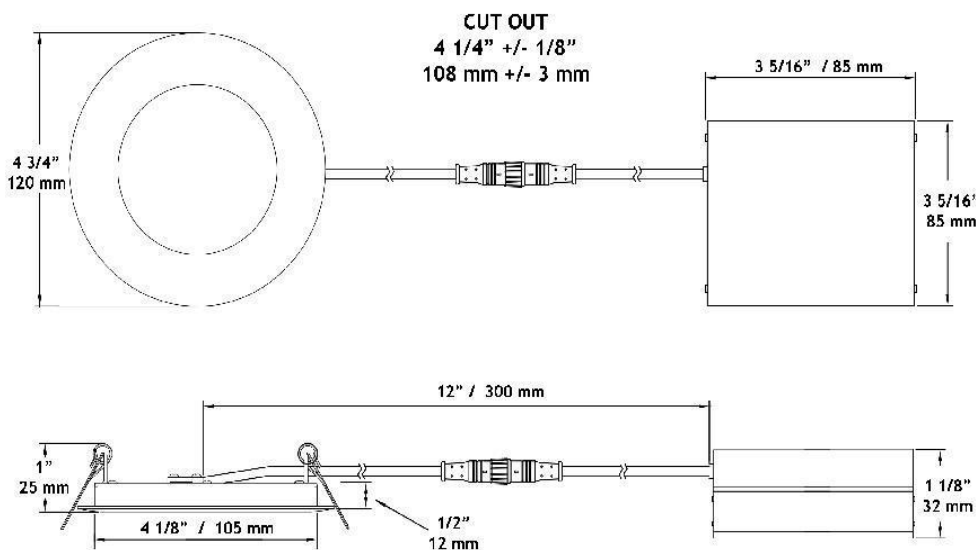
Project: _____

Location: _____

Trim Finish: _____ Qty: _____

Notes: _____

SPECIFICATION	
Applications	Recessed Ceiling Mount
Energy Used	9 W
Colour Temperature	3000° K
Light Output	720 lm
Halogen Equivalent	50 W
Beam Angle	110°
CRI	80
Driver Input	120V AC 50/60 Hz
Power Factor	0.9
Dimming	TRIAC Dimmers 10% - 100% (120V only)
Approved Location	Insulated Ceiling & Damp Locations
Air Tight	Yes
Ambient Temperature	-40° F (-40° C) to +104° F (+40° C)
Projected Life	70% Light Output at 50,000 Hours
Certification	cULus, cETLus, Energy Star
Warranty	5 Year on Fixture & Driver



277V - 347V Driver Option Available
Not Dimmable

Test Condition

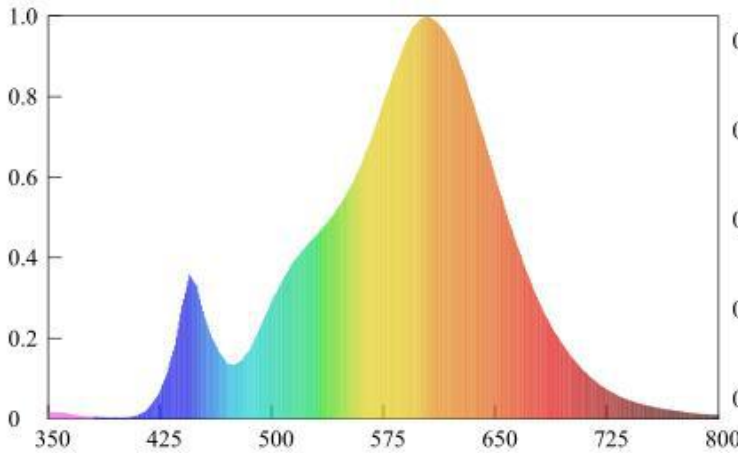
Temperature: 25°C

Spectrum Range: 350-800 nm

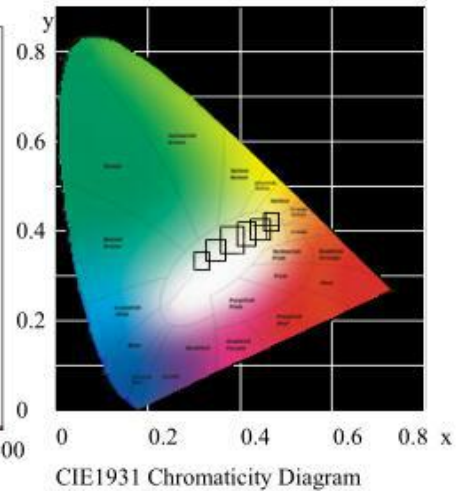
RH: 58%

Scan Step: 5 nm

Spectroradiometric Parameters



Spectral Distribution



CIE1931 Chromaticity Diagram

Chromaticity Coordinates: $x=0.4554$ $y=0.4118$ $u'=0.2591$ $v'=0.5271$

Correlated Color Temperature: 2773 K

Dominant Wavelength: 582.0 nm(E)

Luminous Flux: 546.051 lm

Purity: 0.6058

Chromaticity Difference: 0.0009Duv

Peak Wavelength: 652.1 nm

Color Ratio: $K_r=47.1\%$ $K_g=46.3\%$ $K_b=6.6\%$

Bandwidth: 112.9nm

Radiant Flux: 1.458 W

Rendering Index: $R_a=81.9$

R1=80 R2=90 R3=97 R4=81 R5=80 R6=89 R7=82 R8=57

R9=4 R10=78 R11=81 R12=75 R13=83 R14=99 R15=72

Electric Parameters

Voltage: 120.02 V

Current: 0.081 A

Power Factor: 0.905

Power: 8.775 W

Luminous Efficacy: 62.228 lm/W

CHARACTERISTICS

Body: Durable, Die Cast Aluminum Alloy for Optimal Heat Dissipation.

Paint: Oil Based Spray Painted - Scratch Resistant And Smooth Finish.

LEDs: 40 Pieces Of Custom Packaged LM80 Epistar 2835 0.2W. Guaranteed 98% Lumen Maintenance After 6,000 Hours.

Strict Binning To Ensure Consistent Light Colour.

Driver: 4th Generation DANS Designed. Field Proven Since 2011. Driver must be connect to light before powering on.

Connection Box: Patented Invention By DANS Tech. Saves Contractors Labour In Installation On Every Job.

Testing: Every Single Driver Is Powered For Minimum 24 Hours Together With The Fixture That It Is Shipped With.

Every LED Is Visually Checked Before And After The PCB Is Mounted On The Fixture. No Random Tests - We Hand Test Every Fixture & Driver.